



MERSEN USA NEWBURYPORT-MA, LLC  
374 MERRIMAC STREET  
NEWBURYPORT, MA 01950

TITLE

OUTLINE

202A3080

CONT ON SH 2

SH 1

UNLESS OTHERWISE SPECIFIED, TOLERANCES ARE

|          |          |          |        |
|----------|----------|----------|--------|
| SURFACES | 2 PL DEC | 3 PL DEC | ANGLES |
| ✓        | ±        | ±        | ± DEG  |

FIRST MADE FOR CPO

Current Limiting Fuse Type EJ-2

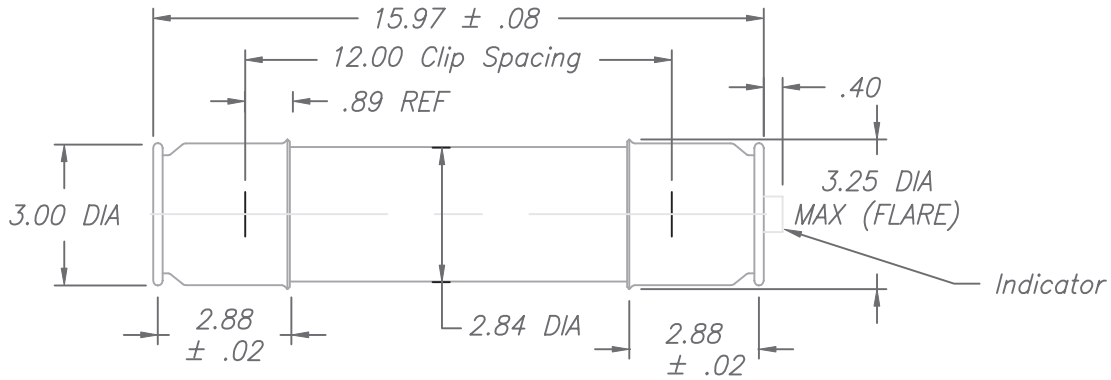


FIG 01

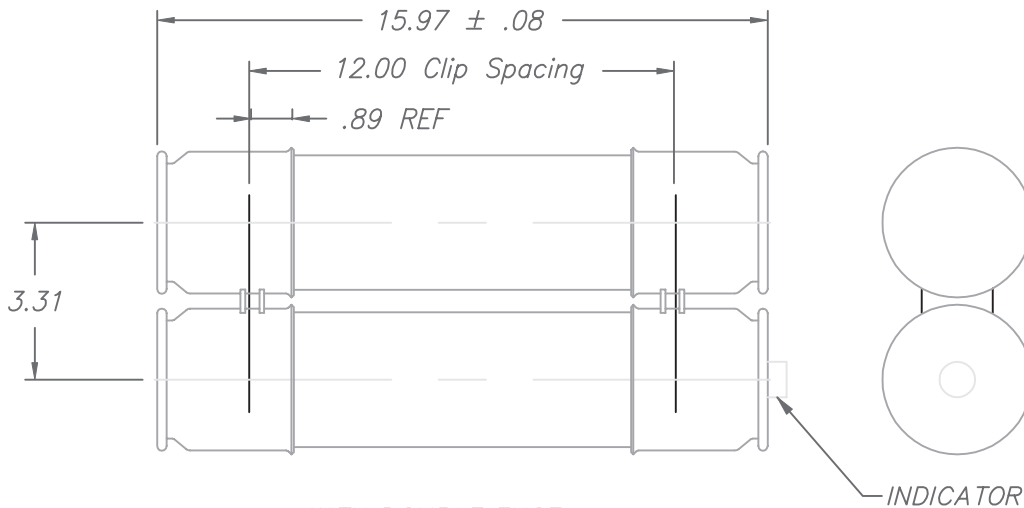


FIG 02 WITH DOUBLE FUSE  
OTHERWISE SAME AS FIG 01

| MODEL NO<br>9F60*** | SIZE | FIG | MIN I/C<br>AMPS | MAX<br>KV | CURVE<br>DESIGNATION |
|---------------------|------|-----|-----------------|-----------|----------------------|
| LJD502              | D    | 01  | 195             | 5.08      | 2R                   |
| LJD503              | D    | 01  | 270             | 5.08      | 3R                   |
| LJD504              | D    | 01  | 370             | 5.08      | 4R                   |
| LJD506              | D    | 01  | 580             | 5.08      | 6R                   |

| MODEL NO<br>9F60*** | SIZE | FIG | MIN I/C<br>AMPS | MAX<br>KV | CURVE<br>DESIGNATION |
|---------------------|------|-----|-----------------|-----------|----------------------|
| LJD509              | D    | 01  | 820             | 5.08      | 9R                   |
| LJD512              | D    | 01  | 1150            | 5.08      | 12R                  |
| MJD518              | DD   | 02  | 1800            | 5.08      | 18R                  |
| MJD524              | DD   | 02  | 2400            | 5.08      | 24R                  |

NOTES:

2. MAXIMUM WIDTH FUSE CLIP = 1.50

REVISIONS

|  |                         |                                |                         |                  |    |
|--|-------------------------|--------------------------------|-------------------------|------------------|----|
| 13   | 14                      | 11                             | 12                      | 9                | 10 |
| K. Carroll<br>10-Sept-96   | K. Carroll<br>17-Nov-97 | G. DAVIS<br>04-Feb-92          | K. Carroll<br>31-Oct-95 |                  |    |
| D'let note 1 Added Min I/C & Max KV to the table for each model. |                         | Updated Routing ECN #K77       |                         | RETRACED W/O CHG |    |
| Changed Model Numbers  |                         | Converted from Calma into Acad |                         | CPO-V            |    |
|  |                         |                                |                         | CPO-WEB          |    |
|  |                         |                                |                         | PRINTS TO        |    |

MADE BY: R.F. TENCZAR JUNE 02, 1967

ISSUED BY: K. Carroll 17-November-97

APPROVALS  
Kris Ranjan  
8/31/01

HICKORY  
CPO

202A3080

CONT ON SH 2

SH 1