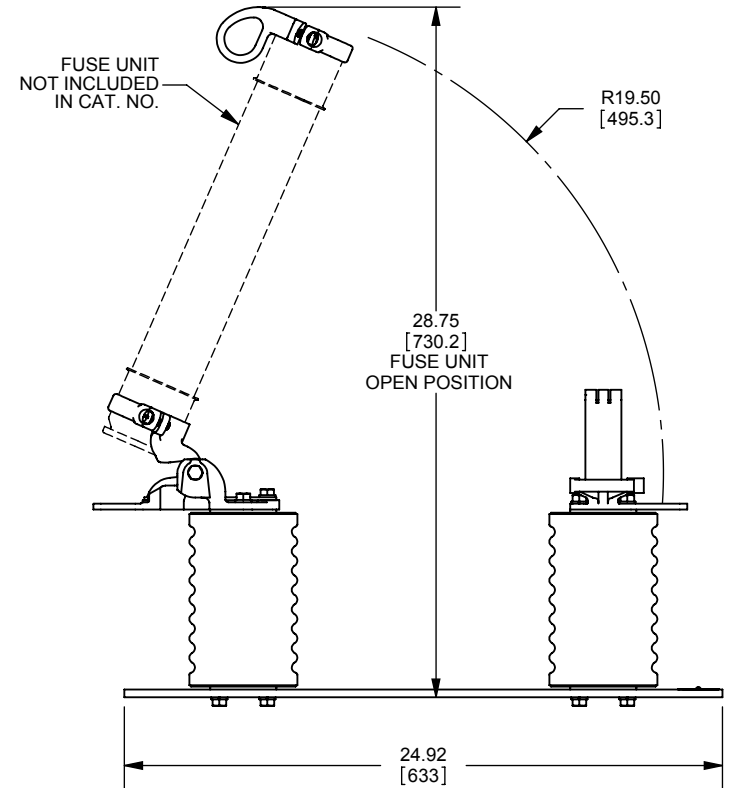
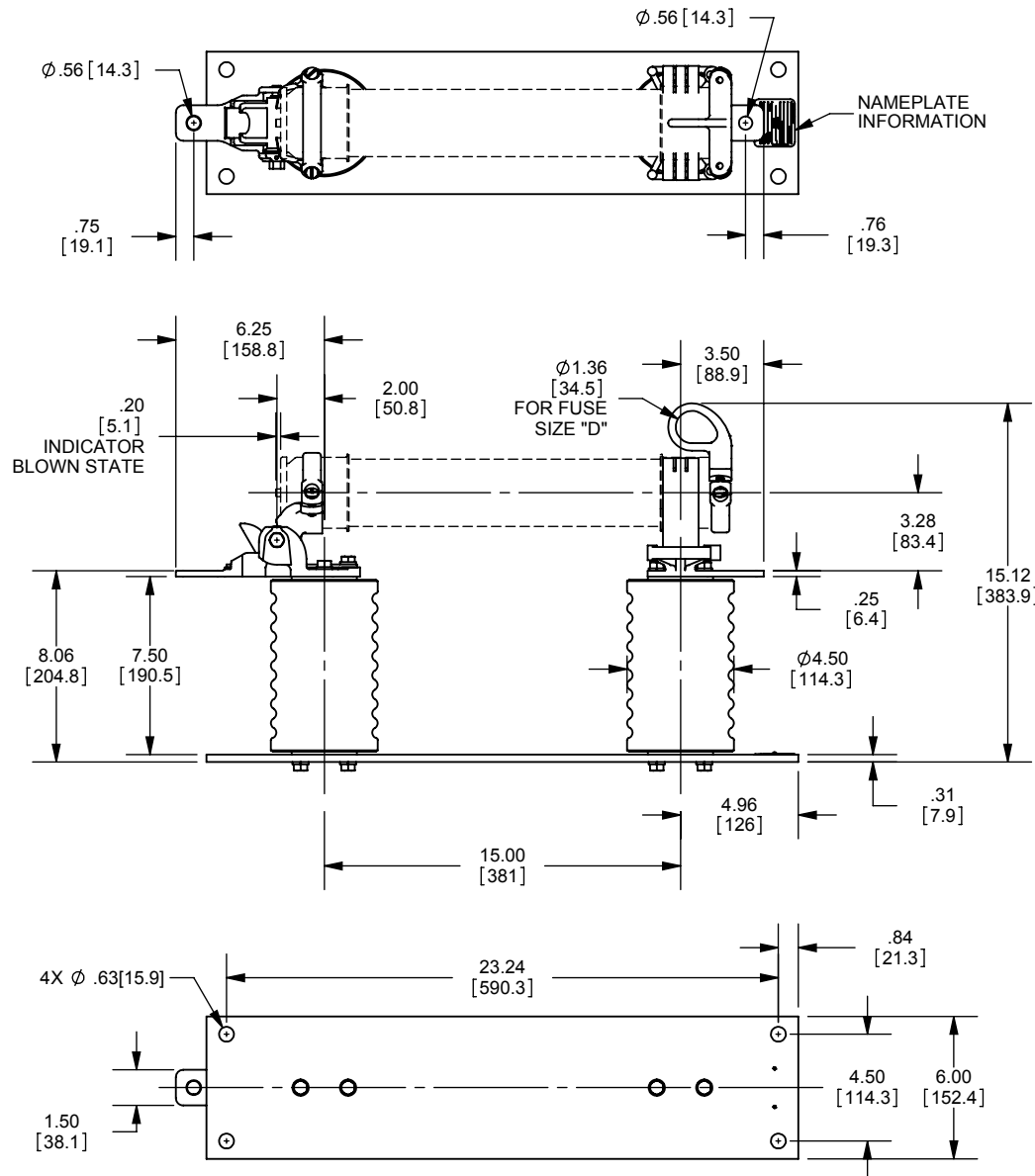


REV.	DATE	ECO	DESCRIPTION	BY	CK	APP
-	5/18/11	N/A	INITIAL RELEASE	RB	N/A	N/A



DIMENSIONS IN [ ] ARE MILLIMETERS



MERSEN USA NEWBURYPORT-MA, LLC  
374 MERRIMAC STREET  
NEWBURYPORT, MA 01950

**9F61AGJ305**  
**FUSE DISCONNECT SWITCH**  
**EK-3D**  
**15.5kV MAX 110kV BIL**

OUTLINE DIMENSIONS  
NOT TO BE USED FOR PRODUCTION

**701699**

PRODUCT MANAGER

DESIGN ENGINEER

SIGN:

SIGN:

DATE:

DATE: