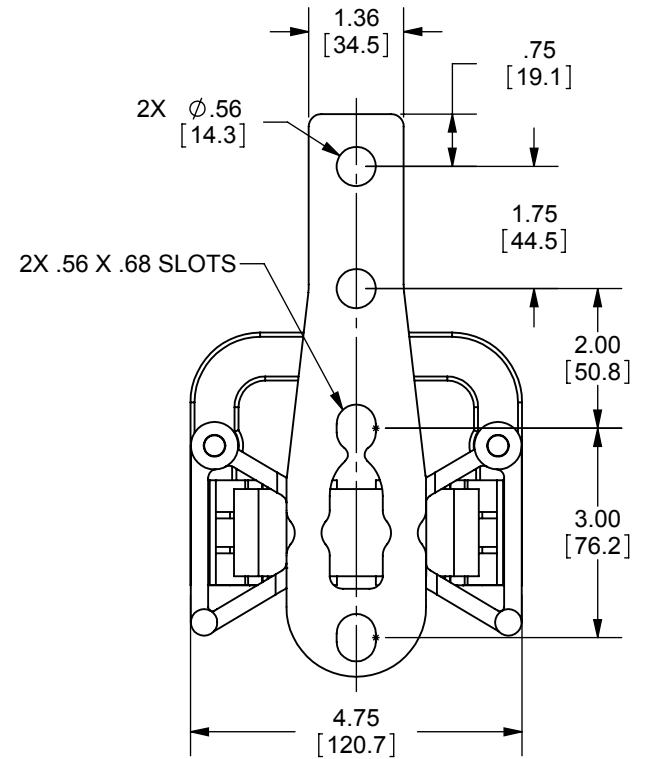
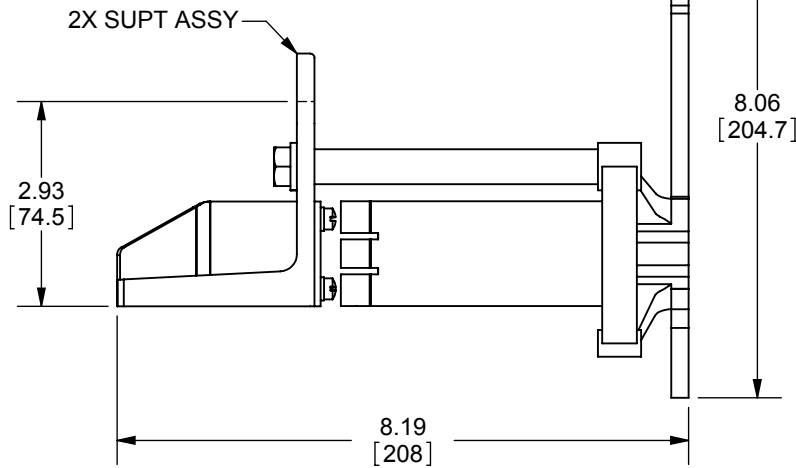
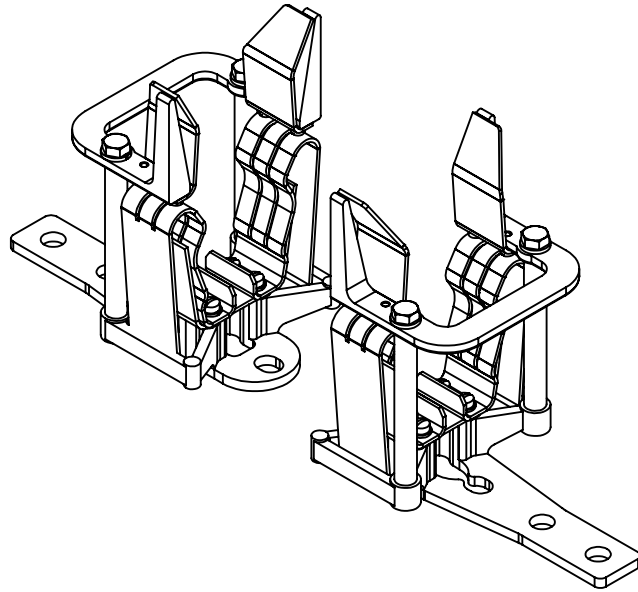


| REV. | DATE    | ECO | DESCRIPTION     | BY | CK | APP |
|------|---------|-----|-----------------|----|----|-----|
| -    | 8/26/10 | N/A | INITIAL RELEASE | RB | NA | N/A |



DIMENSIONS IN [ ] ARE MILLIMETERS



MERSEN USA NEWBURYPORT-MA, LLC  
374 MERRIMAC STREET  
NEWBURYPORT, MA 01950

9F61AWW738  
SP 3 IN. D(2) LONG  
LIVE PARTS

OUTLINE DIMENSIONS  
NOT TO BE USED FOR PRODUCTION

701539

PRODUCT MANAGER

SIGN:

DATE:

DESIGN ENGINEER

SIGN:

DATE: