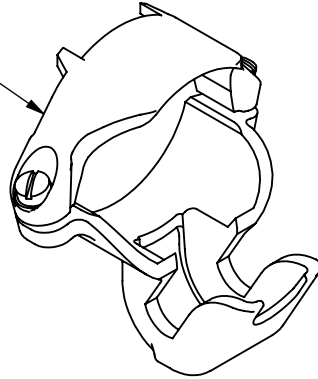
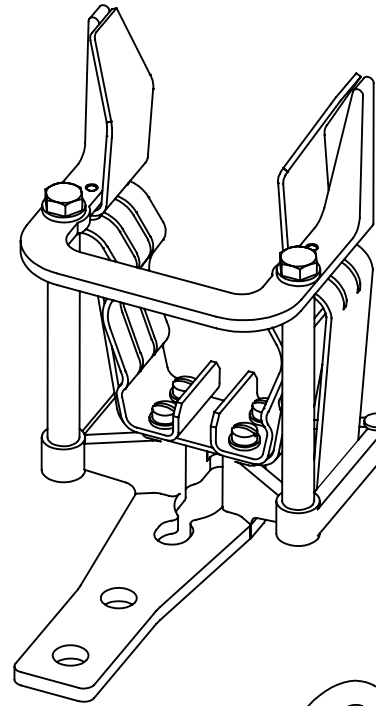


REV.	DATE	ECO	DESCRIPTION	BY	CK	APP
-	9/23/10	N/A	INITIAL RELEASE	RB		N/A

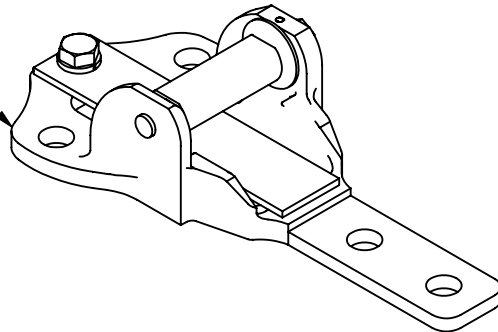
9F61BLW399
DWG# 701545



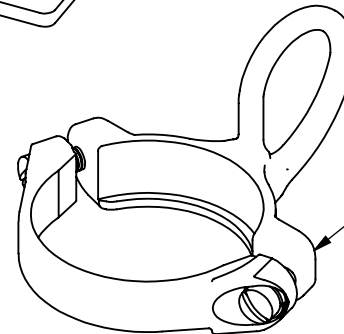
9F61BNW748
DWG# 701543



9F61BDW905
DWG# 701559



9F61AAW612
DWG# 701544



DIMENSIONS IN [] ARE MILLIMETERS



MERSEN USA NEWBURYPORT-MA, LLC
374 MERRIMAC STREET
NEWBURYPORT, MA 01950

9F61BNW748
SP 3 IN. D(2) LONG LIVE
PARTS FD

OUTLINE DIMENSIONS
NOT TO BE USED FOR PRODUCTION

701543

PRODUCT MANAGER

SIGN:

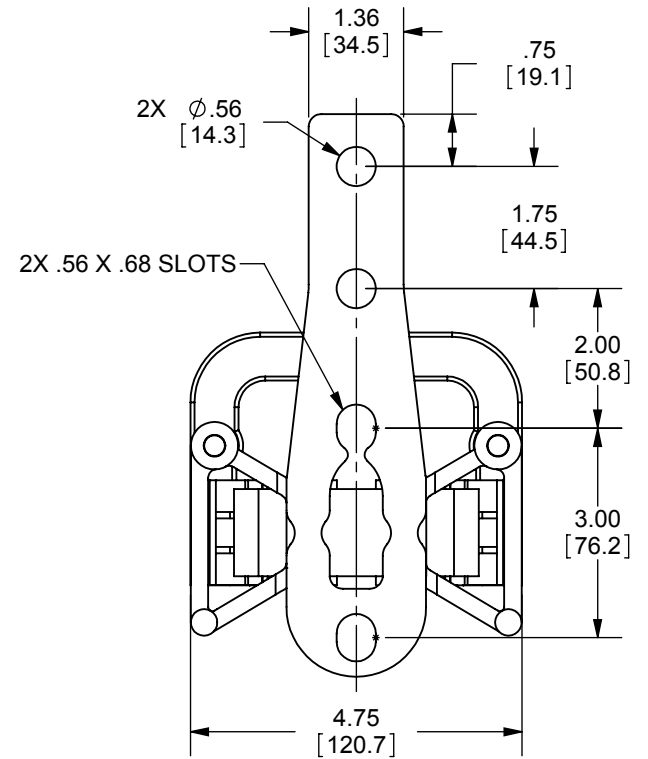
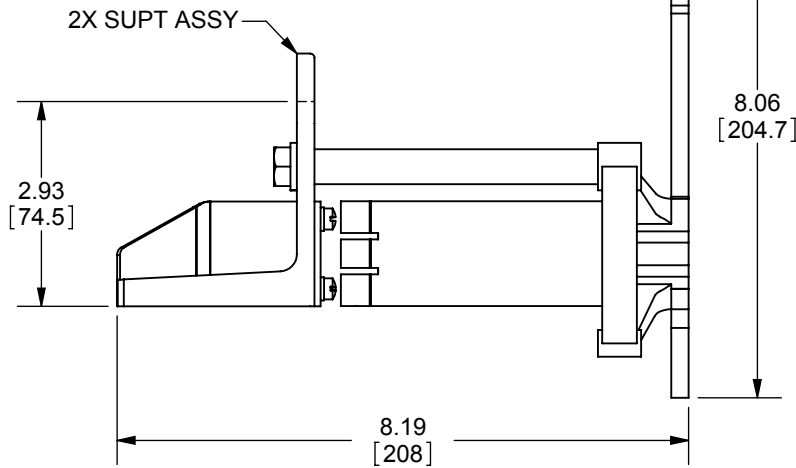
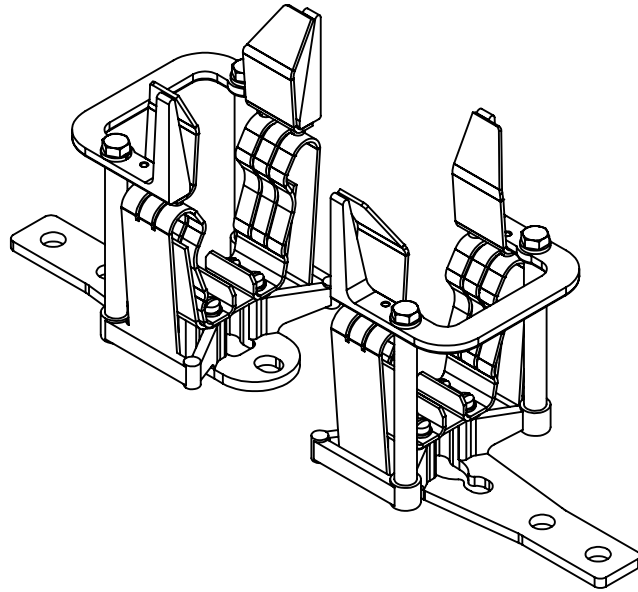
DATE:

DESIGN ENGINEER

SIGN:

DATE:

REV.	DATE	ECO	DESCRIPTION	BY	CK	APP
-	8/26/10	N/A	INITIAL RELEASE	RB	NA	N/A



DIMENSIONS IN [] ARE MILLIMETERS



MERSEN USA NEWBURYPORT-MA, LLC
374 MERRIMAC STREET
NEWBURYPORT, MA 01950

9F61AWW738
SP 3 IN. D(2) LONG
LIVE PARTS

OUTLINE DIMENSIONS
NOT TO BE USED FOR PRODUCTION

701539

PRODUCT MANAGER

SIGN:

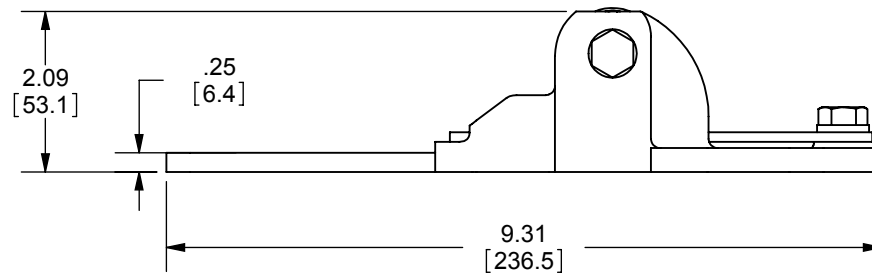
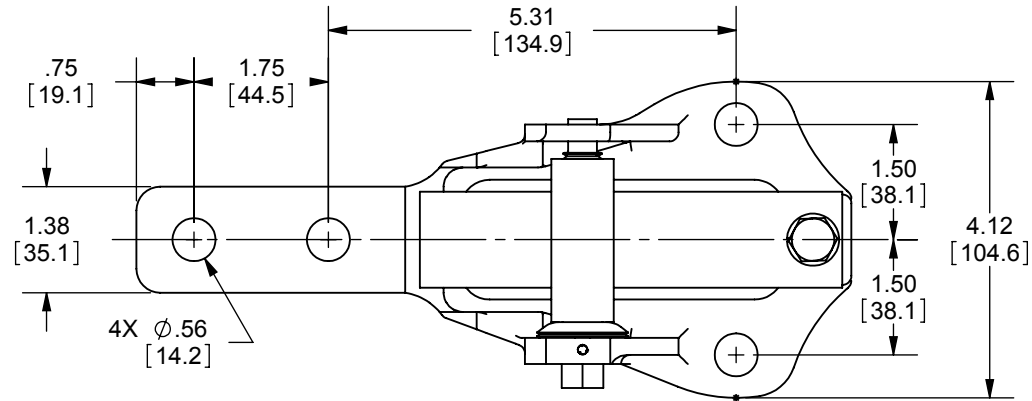
DATE:

DESIGN ENGINEER

SIGN:

DATE:

REV.	DATE	ECO	DESCRIPTION	BY	CK	APP
-	9/10/10	N/A	INITIAL RELEASE	RB		N/A



DIMENSIONS IN [] ARE MILLIMETERS



MERSEN USA NEWBURYPORT-MA, LLC
374 MERRIMAC STREET
NEWBURYPORT, MA 01950

9F61BDW905
HINGE SUPPORT
LONG TAB FD

OUTLINE DIMENSIONS
NOT TO BE USED FOR PRODUCTION

701559

PRODUCT MANAGER

SIGN:

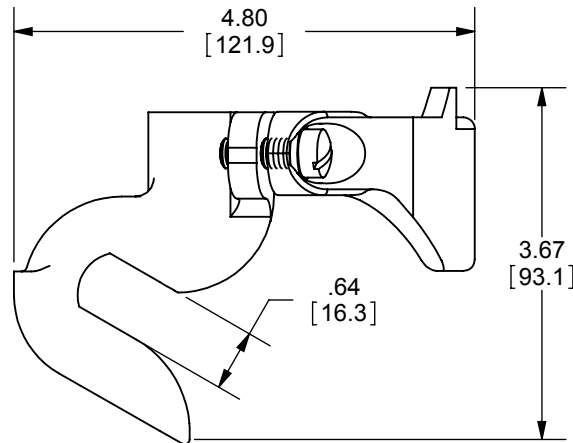
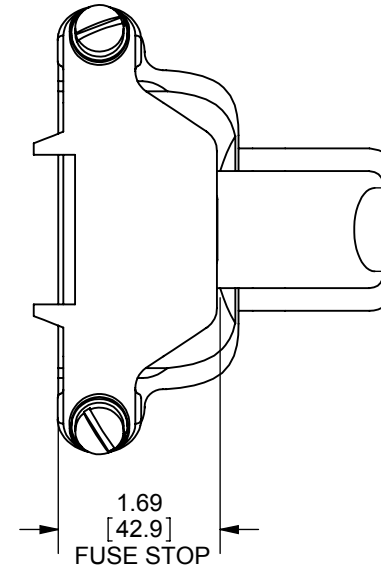
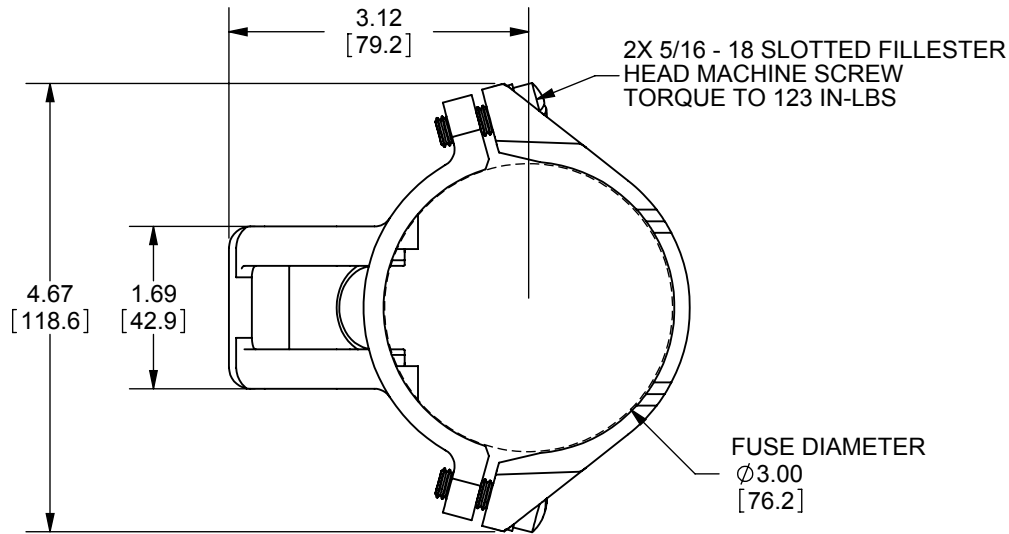
DATE:

DESIGN ENGINEER

SIGN:

DATE:

REV.	DATE	ECO	DESCRIPTION	BY	CK	APP
-	9/22/10	N/A	INITIAL RELEASE	RB	NA	N/A



DIMENSIONS IN [] ARE MILLIMETERS



MERSEN USA NEWBURYPORT-MA, LLC
374 MERRIMAC STREET
NEWBURYPORT, MA 01950

9F61BLW399
3(2) HINGE TRUNION FD

OUTLINE DIMENSIONS
NOT TO BE USED FOR PRODUCTION

701545

PRODUCT MANAGER

SIGN:

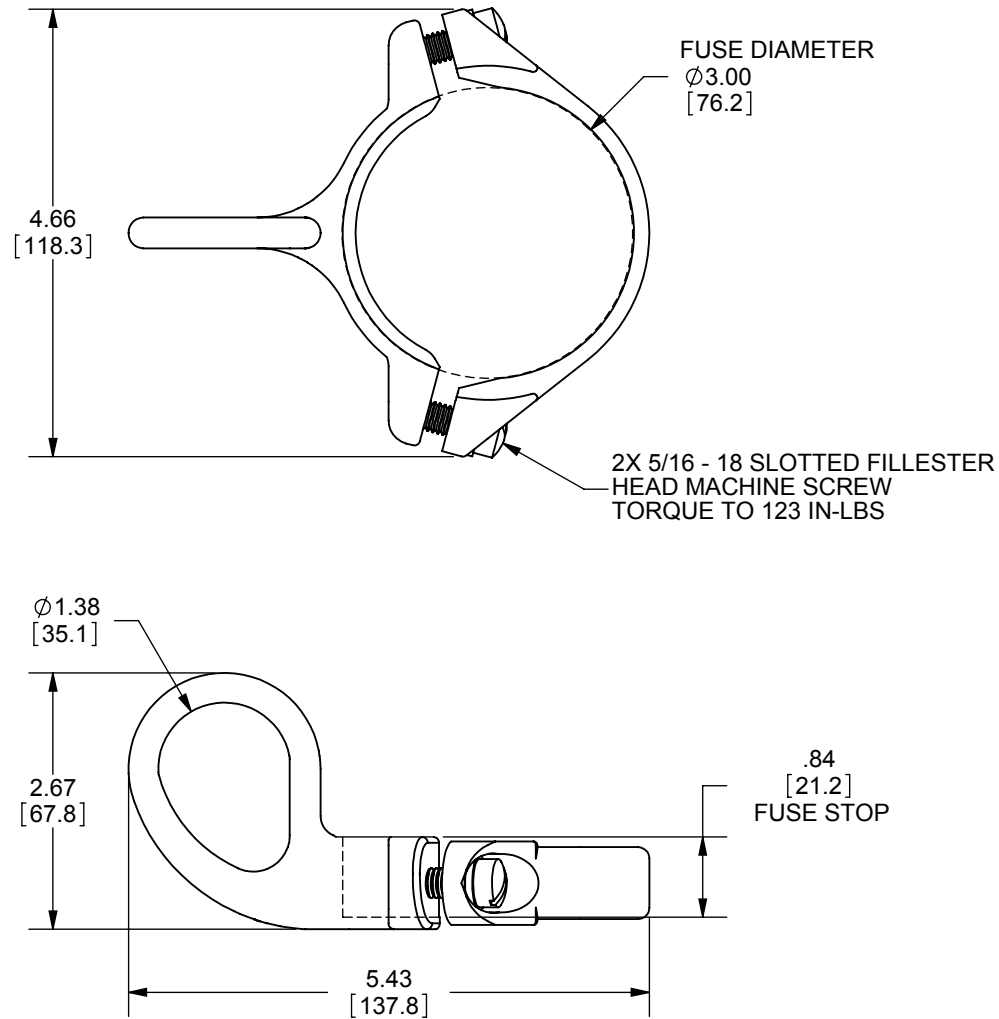
DATE:

DESIGN ENGINEER

SIGN:

DATE:

REV.	DATE	ECO	DESCRIPTION	BY	CK	APP
-	9/21/10	N/A	INITIAL RELEASE	RB	NA	N/A



DIMENSIONS IN [] ARE MILLIMETERS



MERSEN USA NEWBURYPORT-MA, LLC
 374 MERRIMAC STREET
 NEWBURYPORT, MA 01950

9F61AWW612
 3 IN. OPERATING EYE FD

OUTLINE DIMENSIONS
 NOT TO BE USED FOR PRODUCTION

701544

PRODUCT MANAGER

SIGN:

DATE:

DESIGN ENGINEER

SIGN:

DATE: