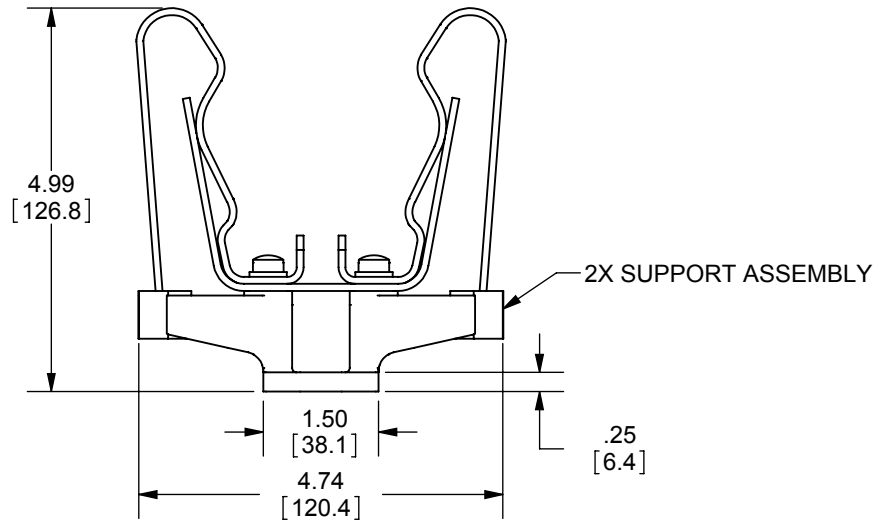
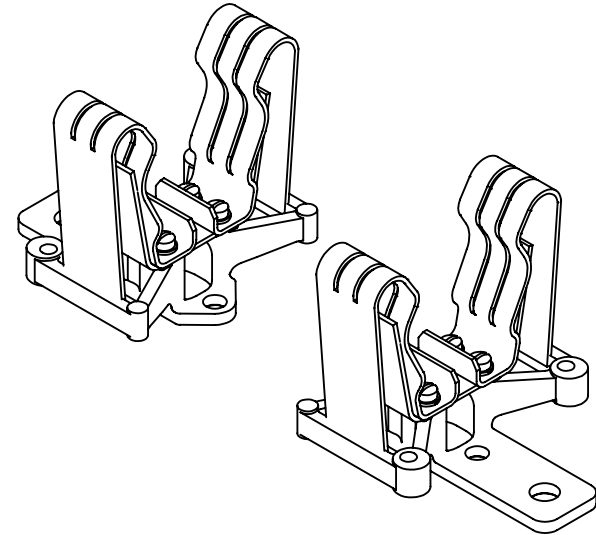
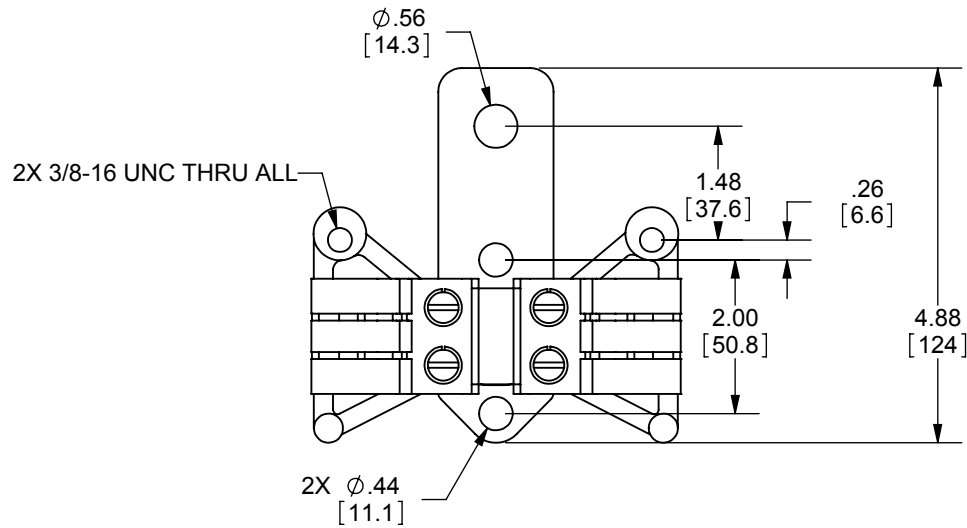


REV.	DATE	ECO	DESCRIPTION	BY	CK	APP
A	12/1/11	N/A	ADDED 3/8-16 TAPPED HOLE DIMENSION	RB	NA	N/A



DIMENSIONS IN [] ARE MILLIMETERS



MERSEN USA NEWBURYPORT-MA, LLC
374 MERRIMAC STREET
NEWBURYPORT, MA 01950

9F61BNW750
SP 3 IN. D LIVE PARTS

OUTLINE DIMENSIONS
NOT TO BE USED FOR PRODUCTION

701514

PRODUCT MANAGER

SIGN:

DATE:

DESIGN ENGINEER

SIGN:

DATE: