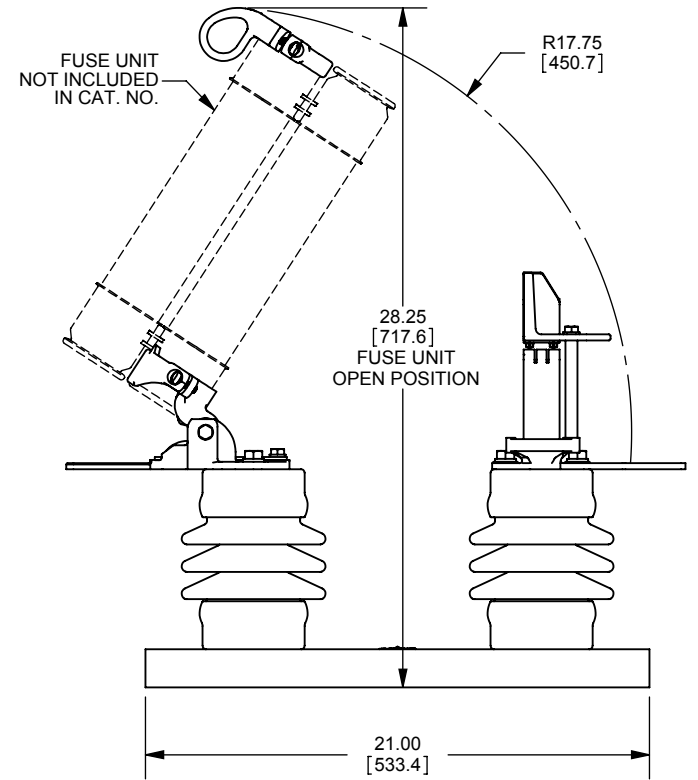
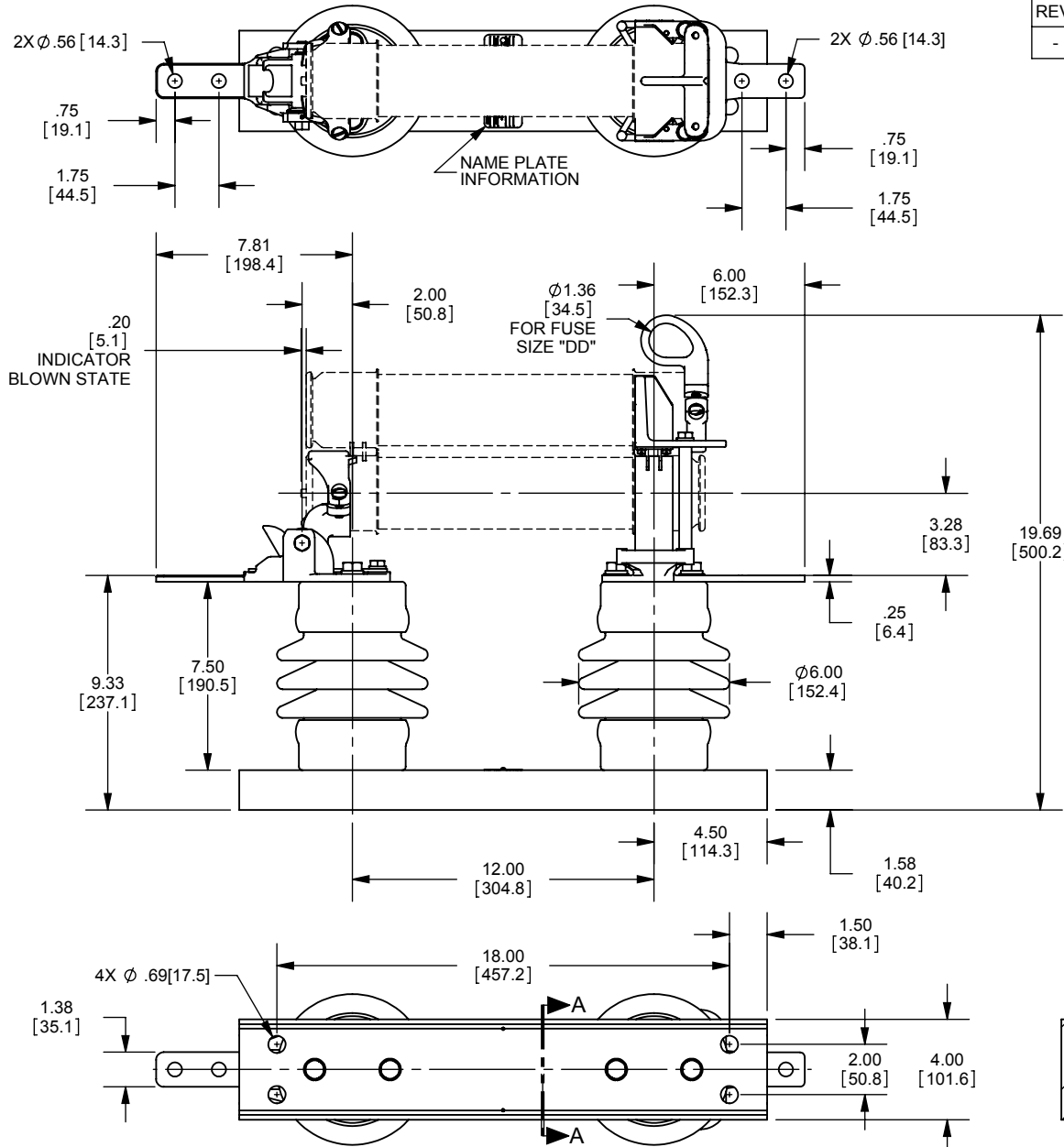


REV.	DATE	ECO	DESCRIPTION	BY	CK	APP
-	3/7/11	N/A	INITIAL RELEASE	RB	N/A	N/A



**Mersen**

MERSEN USA NEWBURYPORT-MA, LLC  
374 MERRIMAC STREET  
NEWBURYPORT, MA 01950

**9F61CEF410**  
**FUSE DISCONNECT SWITCH**  
**EKO-3DD**  
**8.25kV MAX. 96kV BIL**

DIMENSIONS IN [ ] ARE MILLIMETERS

OUTLINE DIMENSIONS  
NOT TO BE USED FOR PRODUCTION

PRODUCT MANAGER

DESIGN ENGINEER

SIGN:

SIGN:

DATE:

DATE:

**701660**